

Production Worksheet

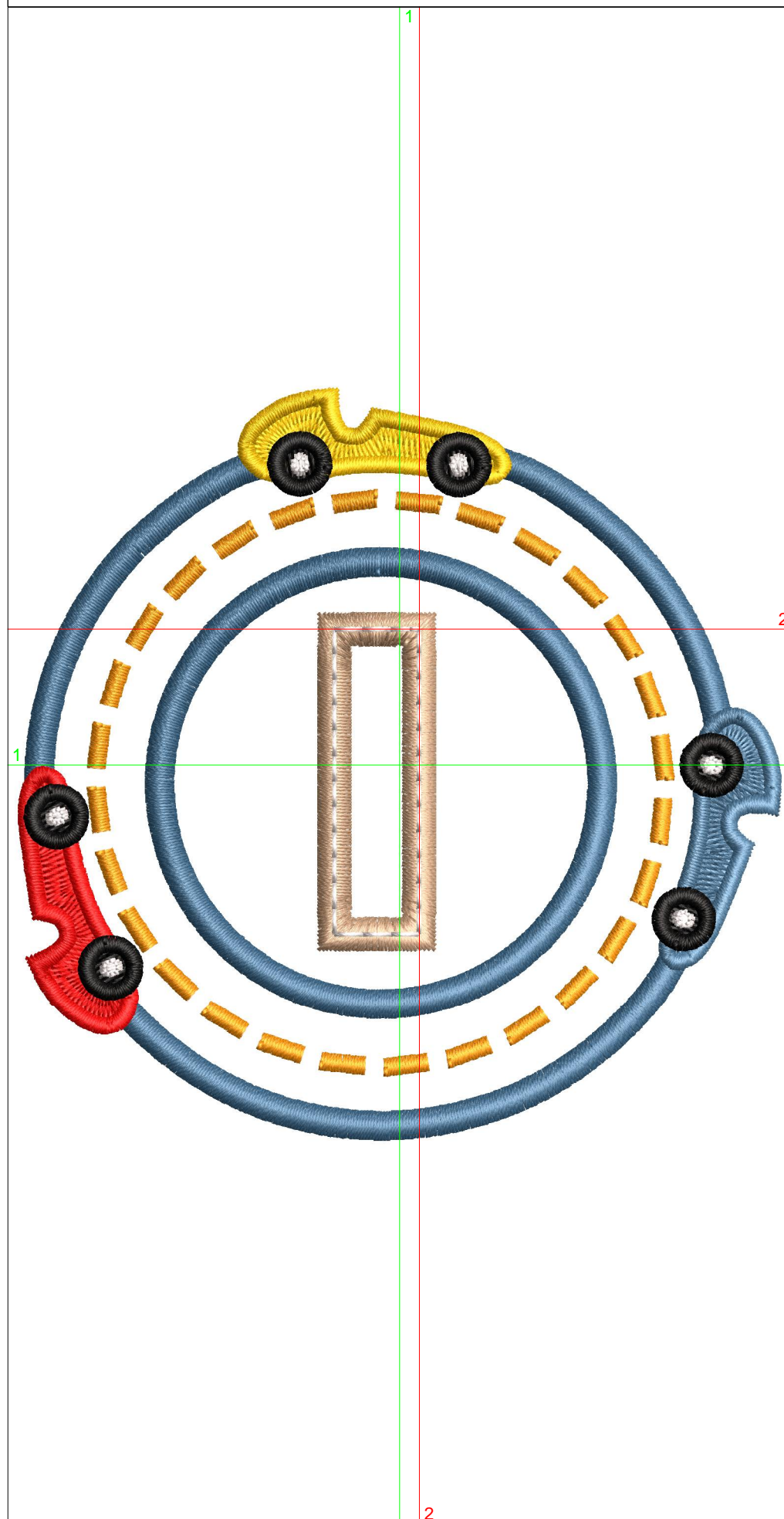
Wilcom TrueSizer

* I4X4 *

Design: I4X4

Title:

Stitches: 11,080
 Height: 98.5 mm
 Width: 99.9 mm
 Colors: 8
 Colorway: Colorway 1
 Zoom: 1.31



Machine format: Janome
 Color changes: 12
 Stops: 13
 Trims: 52
 Auto fabric: Fabric Name
 Required stabilizer: Stabilizer
 Appliqués: 0
 Left: 49.9 mm
 Right: 50.0 mm
 Up: 49.3 mm
 Down: 49.2 mm
 EndX: 2.6 mm
 EndY: 17.8 mm
 Area: 9840.2 mm²
 Max stitch: 5.6 mm
 Min stitch: 0.4 mm
 Max jump: 12.6 mm
 Total thread: 62.31m
 Total bobbin: 23.03m

Stop Sequence:

#	#	Color	St.	Code	Name	Chart
1.	16	Red	267	225	Red	Janome
2.	17	Black	264	002	Black	Janome
3.	18	Slate Blue	2,703	231	Slate Blue	Janome
4.	19	Honey Dew	1,433	273	Honey Dew	Janome
5.	20	Sunflower	1,158	239	Sunflower	Janome
6.	21	Bright Blue	1,136	230	Bright Blue	Janome
7.	16	Red	1,182	225	Red	Janome
8.	17	Black	1,667	002	Black	Janome
9.	22	White	239	001	White	Janome
10.	16	Red	67	225	Red	Janome
11.	17	Black	62	002	Black	Janome
12.	23	Beige	741	213	Beige	Janome
13.	22	White	159	001	White	Janome

Production Worksheet

Wilcom TrueSizer

* 15X7 *

Design: 15X7

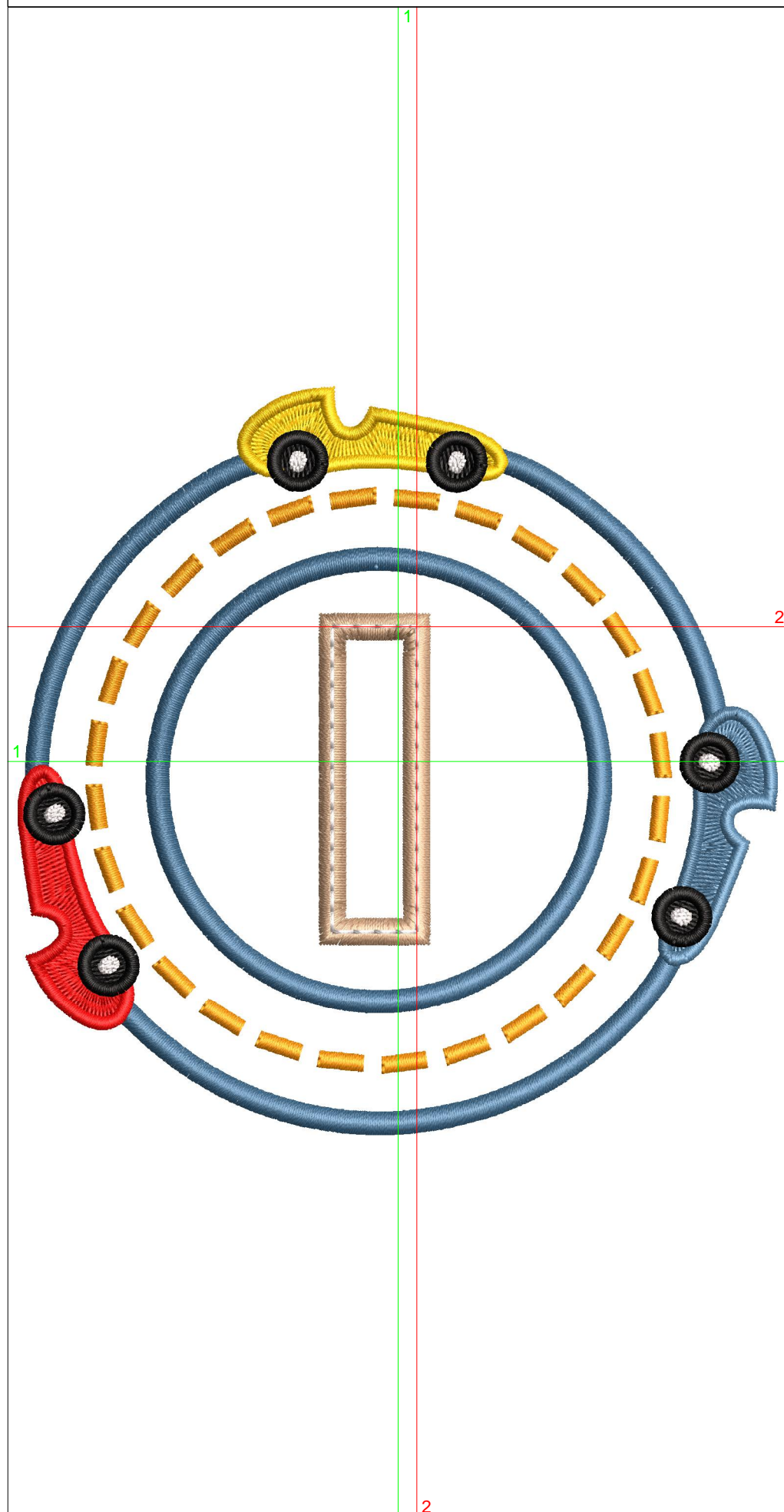
Title:

Stitches: 13,957
 Height: 122.7 mm
 Width: 124.6 mm
 Colors: 8
 Colorway: Colorway 1
 Zoom: 1.05

Machine format: Janome
 Color changes: 12
 Stops: 13
 Trims: 52
 Auto fabric: Fabric Name
 Required stabilizer: Stabilizer
 Appliqués: 0
 Left: 62.3 mm
 Right: 62.3 mm
 Up: 61.4 mm
 Down: 61.3 mm
 EndX: 3.1 mm
 EndY: 22.1 mm
 Area: 15288.4 mm²
 Max stitch: 6.0 mm
 Min stitch: 0.4 mm
 Max jump: 12.6 mm
 Total thread: 80.13m
 Total bobbin: 30.17m

Stop Sequence:

#	#	Color	St.	Code	Name	Chart
1.	16	Red	327	225	Red	Janome
2.	17	Black	323	002	Black	Janome
3.	18	Slate Blue	3,348	231	Slate Blue	Janome
4.	19	Honey Dew	1,657	273	Honey Dew	Janome
5.	20	Sunflower	1,567	239	Sunflower	Janome
6.	21	Bright Blue	1,492	230	Bright Blue	Janome
7.	16	Red	1,580	225	Red	Janome
8.	17	Black	2,090	002	Black	Janome
9.	22	White	307	001	White	Janome
10.	16	Red	80	225	Red	Janome
11.	17	Black	74	002	Black	Janome
12.	23	Beige	911	213	Beige	Janome
13.	22	White	199	001	White	Janome



Production Worksheet

Wilcom TrueSizer

* 16X10 *

Design: 16X10

Title:

Stitches: 17,215
 Height: 148.1 mm
 Width: 150.7 mm
 Colors: 8
 Colorway: Colorway 1
 Zoom: 0.87

Machine format: Janome
 Color changes: 12
 Stops: 13
 Trims: 52
 Auto fabric: Fabric Name
 Required stabilizer: Stabilizer
 Appliqués: 0
 Left: 75.3 mm
 Right: 75.4 mm
 Up: 74.0 mm
 Down: 74.1 mm
 EndX: 3.9 mm
 EndY: 26.7 mm
 Area: 22318.7 mm²
 Max stitch: 5.8 mm
 Min stitch: 0.3 mm
 Max jump: 12.6 mm
 Total thread: 100.88m
 Total bobbin: 38.61m

Stop Sequence:

#	#	Color	St.	Code	Name	Chart
1.	16	Red	390	225	Red	Janome
2.	17	Black	385	002	Black	Janome
3.	18	Slate Blue	4,024	231	Slate Blue	Janome
4.	19	Honey Dew	1,882	273	Honey Dew	Janome
5.	20	Sunflower	2,013	239	Sunflower	Janome
6.	21	Bright Blue	1,961	230	Bright Blue	Janome
7.	16	Red	2,089	225	Red	Janome
8.	17	Black	2,595	002	Black	Janome
9.	22	White	362	001	White	Janome
10.	16	Red	97	225	Red	Janome
11.	17	Black	90	002	Black	Janome
12.	23	Beige	1,086	213	Beige	Janome
13.	22	White	239	001	White	Janome

