

Production Worksheet

Wilcom TrueSizer

* BEACH ICON 3 STITCHED 2.5 INCH *

Design: Beach Icon 3 Stitched 2_5 Inch

Title:

Stitches: 7,121

Height: 64.2 mm

Width: 64.2 mm

Colors: 2

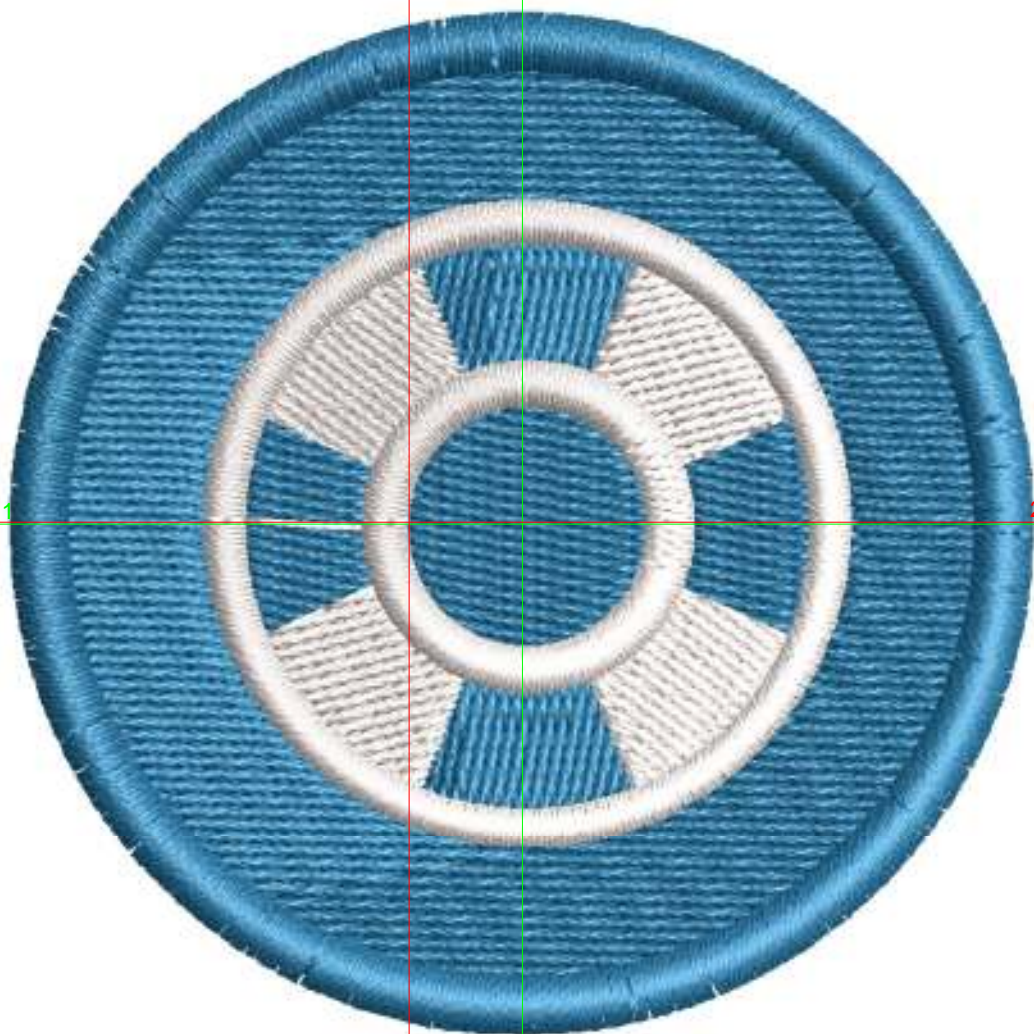
Colorway: Colorway 1

Zoom: 2.11

Machine format: Janome
Color changes: 1
Stops: 2
Trims: 9
Auto fabric: Fabric Name
Required stabilizer: Stabilizer
Appliqués: 0
Left: 32.1 mm
Right: 32.1 mm
Up: 32.1 mm
Down: 32.1 mm
EndX: -7.1 mm
EndY: 0.1 mm
Area: 4121.6 mm²
Max stitch: 7.7 mm
Min stitch: 0.3 mm
Max jump: 8.0 mm
Total thread: 43.70m
Total bobbin: 17.34m

Stop Sequence:

#	#	Color	St.	Code	Name	Chart
1.	16	■	5,268	263	Sola Blue	Janome
2.	17	□	1,853	001	White	Janome



Production Worksheet

Wilcom TrueSizer

* BEACH ICON 3 STITCHED 3 INCH *

Design: **Beach Icon 3 Stitched 3 Inch**

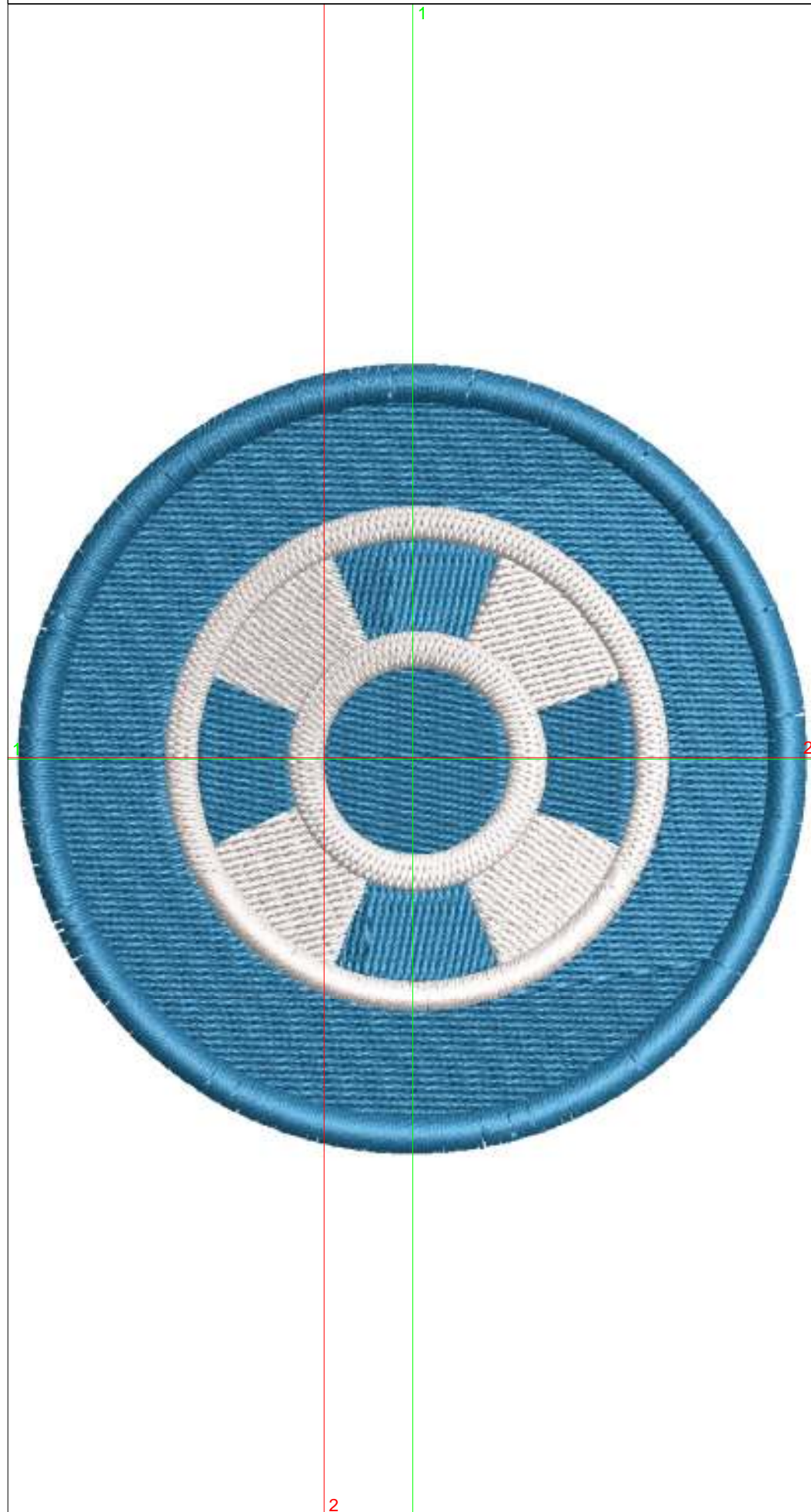
Title:

Stitches: 9,928
Height: 76.8 mm
Width: 76.6 mm
Colors: 2
Colorway: Colorway 1
Zoom: 1.77

Machine format: Janome
Color changes: 1
Stops: 2
Trims: 11
Auto fabric: Fabric Name
Required stabilizer: Stabilizer
Appliqués: 0
Left: 38.3 mm
Right: 38.3 mm
Up: 38.4 mm
Down: 38.4 mm
EndX: -8.6 mm
EndY: 0.1 mm
Area: 5882.9 mm²
Max stitch: 6.2 mm
Min stitch: 0.3 mm
Max jump: 8.0 mm
Total thread: 60.60m
Total bobbin: 24.02m

Stop Sequence:

#	#	Color	St.	Code	Name	Chart
1.	16	■	7,039	263	Sola Blue	Janome
2.	17	□	2,889	001	White	Janome



Production Worksheet

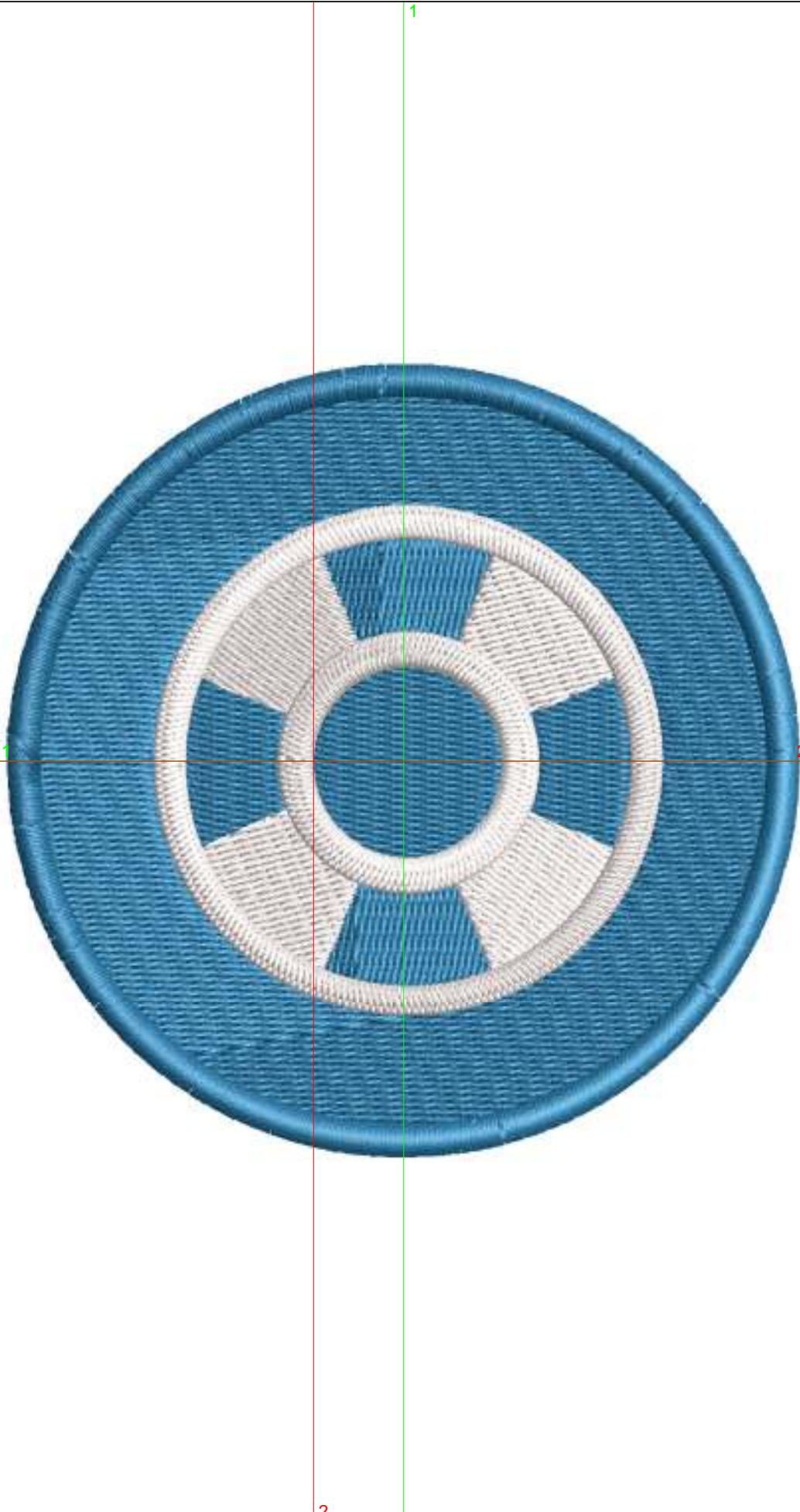
Wilcom TrueSizer

*** BEACH ICON 3 STITCHED 3.5 INCH ***

Design: **Beach Icon 3 Stitched 3_5 Inch**

Title:

Stitches: 12,880
 Height: 89.0 mm
 Width: 88.9 mm
 Colors: 2
 Colorway: Colorway 1
 Zoom: 1.52



Machine format: Janome
 Color changes: 1
 Stops: 2
 Trims: 11
 Auto fabric: Fabric Name
 Required stabilizer: Stabilizer
 Appliqués: 0
 Left: 44.4 mm
 Right: 44.5 mm
 Up: 44.5 mm
 Down: 44.5 mm
 EndX: -10.1 mm
 EndY: 0.0 mm
 Area: 7912.1 mm²
 Max stitch: 6.7 mm
 Min stitch: 0.3 mm
 Max jump: 8.0 mm
 Total thread: 79.27m
 Total bobbin: 31.59m

Stop Sequence:

#	#	Color	St.	Code	Name	Chart
1.	16	■	8,998	263	Sola Blue	Janome
2.	17	□	3,882	001	White	Janome

Production Worksheet

Wilcom TrueSizer

* BEACH ICON 3 STITCHED 4 INCH *

Design: Beach Icon 3 Stitched 4 Inch

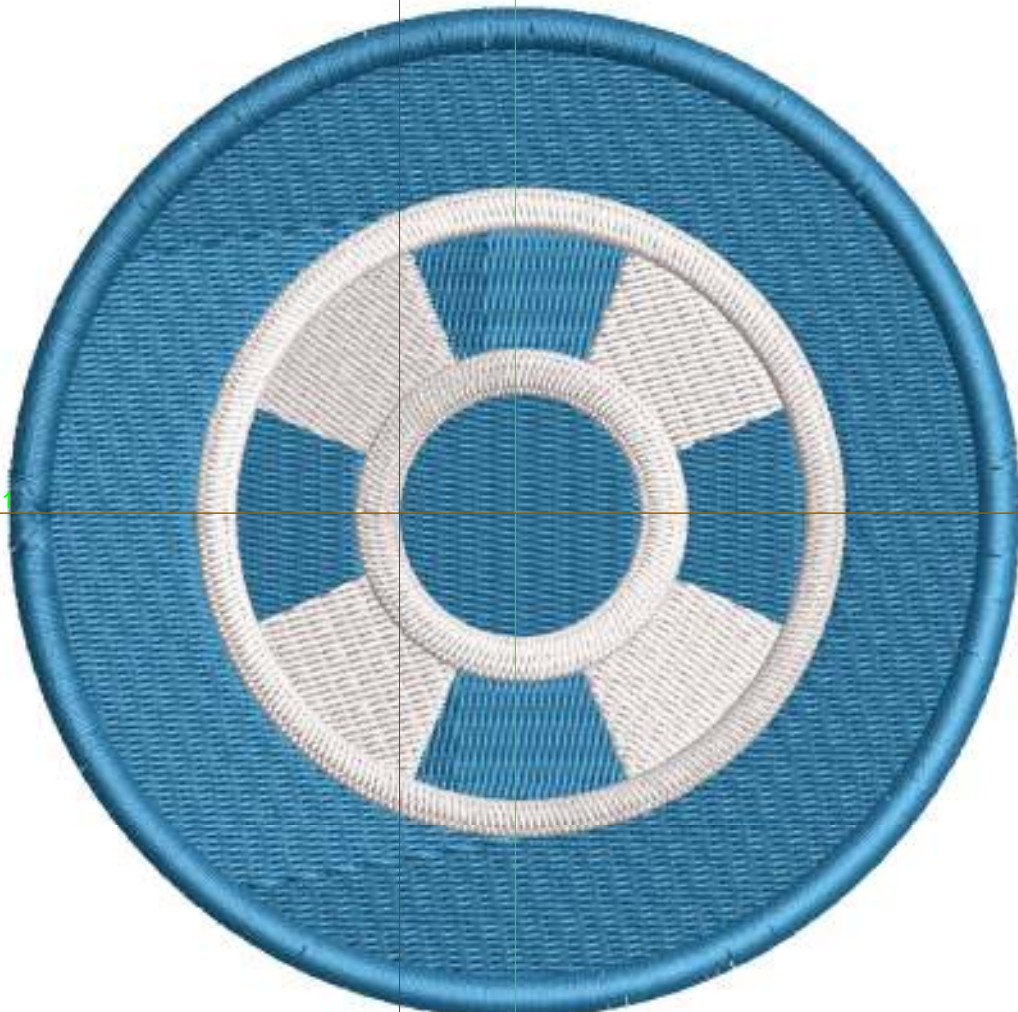
Title:

Stitches: 16,071
Height: 101.9 mm
Width: 102.0 mm
Colors: 2
Colorway: Colorway 1
Zoom: 1.31

Machine format: Janome
Color changes: 1
Stops: 2
Trims: 11
Auto fabric: Fabric Name
Required stabilizer: Stabilizer
Appliqués: 0
Left: 51.0 mm
Right: 51.0 mm
Up: 51.0 mm
Down: 50.9 mm
EndX: -11.7 mm
EndY: 0.0 mm
Area: 10393.8 mm²
Max stitch: 7.9 mm
Min stitch: 0.3 mm
Max jump: 8.0 mm
Total thread: 102.04m
Total bobbin: 41.30m

Stop Sequence:

#	#	Color	St.	Code	Name	Chart
1.	16	■	11,312	263	Sola Blue	Janome
2.	17	□	4,759	001	White	Janome



Production Worksheet

Wilcom TrueSizer

* BEACH ICON 3 STITCHED 4 5 INCH *

Design: Beach Icon 3 Stitched 4_5 Inch

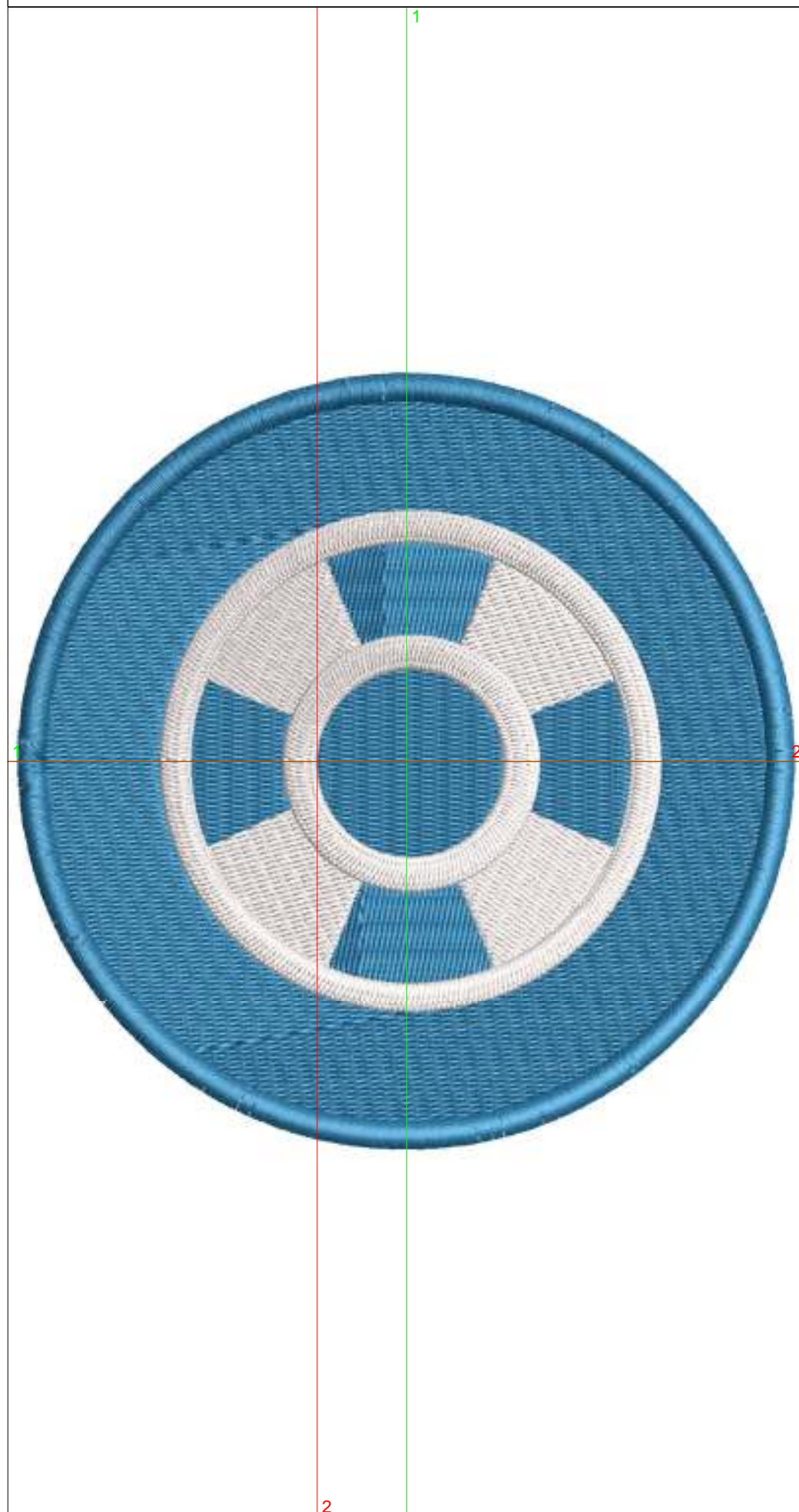
Title:

Stitches: 19,600
Height: 114.7 mm
Width: 114.8 mm
Colors: 2
Colorway: Colorway 1
Zoom: 1.16

Machine format: Janome
Color changes: 1
Stops: 2
Trims: 11
Auto fabric: Fabric Name
Required stabilizer: Stabilizer
Appliqués: 0
Left: 57.4 mm
Right: 57.4 mm
Up: 57.4 mm
Down: 57.3 mm
EndX: -13.2 mm
EndY: 0.0 mm
Area: 13167.6 mm²
Max stitch: 7.9 mm
Min stitch: 0.3 mm
Max jump: 8.0 mm
Total thread: 126.15m
Total bobbin: 51.41m

Stop Sequence:

#	#	Color	St.	Code	Name	Chart
1.	16	■	13,826	263	Sola Blue	Janome
2.	17	□	5,774	001	White	Janome



Production Worksheet

Wilcom TrueSizer

*** BEACH ICON 3 STITCHED 5 INCH ***

Design: **Beach Icon 3 Stitched 5 Inch**

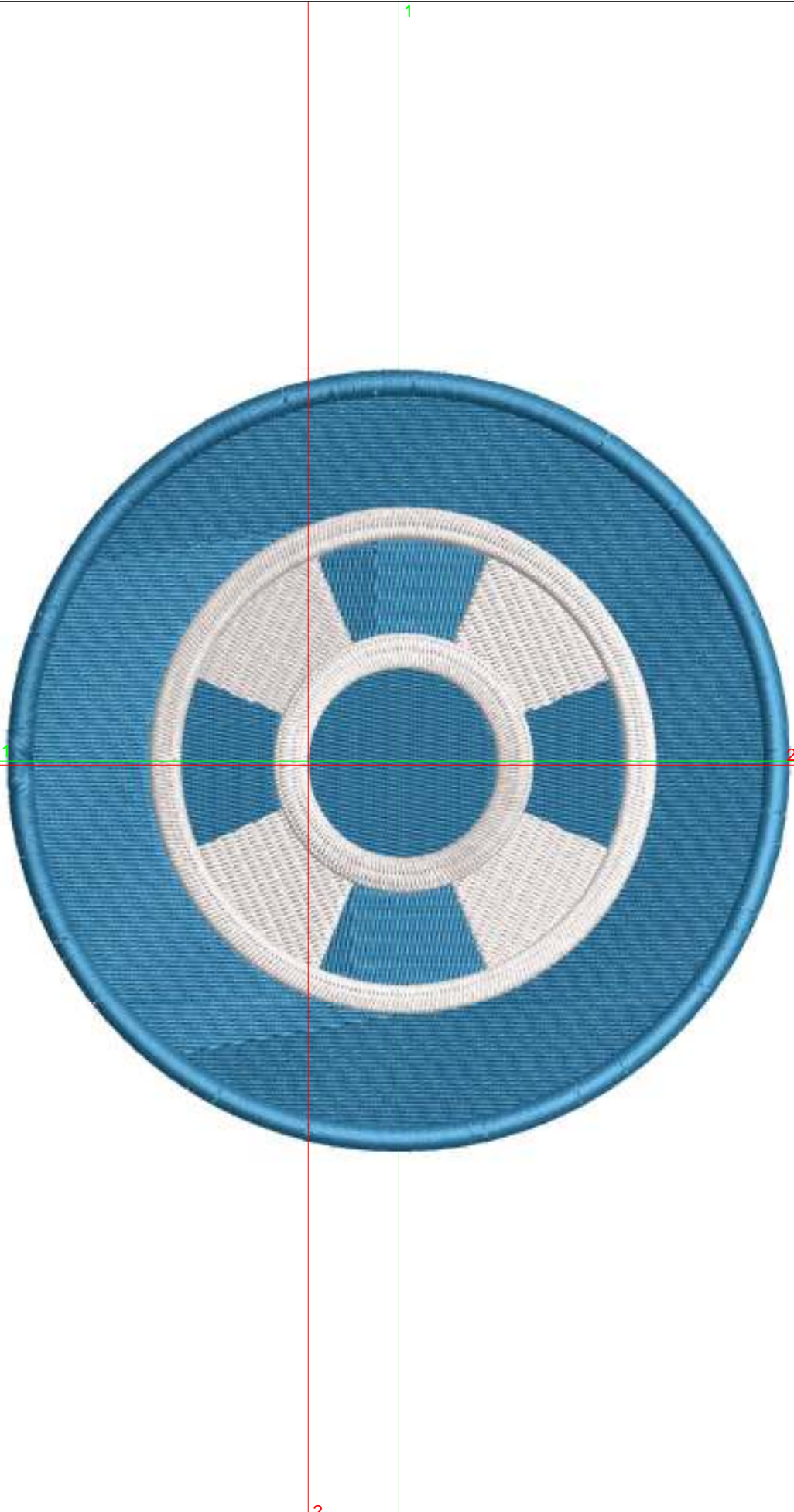
Title:

Stitches: 23,539
Height: 127.4 mm
Width: 127.4 mm
Colors: 2
Colorway: Colorway 1
Zoom: 1.05

Machine format: Janome
Color changes: 1
Stops: 2
Trims: 11
Auto fabric: Fabric Name
Required stabilizer: Stabilizer
Appliqués: 0
Left: 63.7 mm
Right: 63.7 mm
Up: 63.7 mm
Down: 63.7 mm
EndX: -14.7 mm
EndY: -0.7 mm
Area: 16230.8 mm²
Max stitch: 8.1 mm
Min stitch: 0.4 mm
Max jump: 8.0 mm
Total thread: 152.95m
Total bobbin: 62.62m

Stop Sequence:

#	#	Color	St.	Code	Name	Chart
1.	16	■	16,634	263	Sola Blue	Janome
2.	17	□	6,905	001	White	Janome



Production Worksheet

Wilcom TrueSizer

* BEACH ICON 3 STITCHED 5.5 INCH *

Design: Beach Icon 3 Stitched 5_5 Inch

Title:

Stitches: 28,353
Height: 141.6 mm
Width: 141.6 mm
Colors: 2
Colorway: Colorway 1
Zoom: 0.94

Machine format: Janome
Color changes: 1
Stops: 2
Trims: 11
Auto fabric: Fabric Name
Required stabilizer: Stabilizer
Appliqués: 0
Left: 70.8 mm
Right: 70.8 mm
Up: 70.8 mm
Down: 70.8 mm
EndX: -16.4 mm
EndY: -0.2 mm
Area: 20050.6 mm²
Max stitch: 5.5 mm
Min stitch: 0.3 mm
Max jump: 8.0 mm
Total thread: 185.93m
Total bobbin: 76.46m

Stop Sequence:

#	#	Color	St.	Code	Name	Chart
1.	16	■	20,017	263	Sola Blue	Janome
2.	17	□	8,336	001	White	Janome

