


Production Worksheet
 Wilcom TrueSizer
 YyA
 Design: Yya
 Title:

Stitches: 3,714
 Height: 38.2 mm
 Width: 37.3 mm
 Colors: 2
 Colorway: Colorway 1
 Zoom: 4.28

Machine format: Janome
 Color changes: 1
 Stops: 2
 Trims: 1
 Auto fabric: Fabric Name
 Required stabilizer: Stabilizer
 Appliqués: 0
 Total thread: 21.28m
 Total bobbin: 8.09m

Stop Sequence:
 # # Color St. Code Name
 1. 16 1,855 001 White
 2. 17 1,856 002 Black

Thread usage: 21.08m
 # Color Name Length
 16. 15 White 11.17m
 17. 16 Black 9.91m



Authors: Design last saved : 1/31/2022 4:05:51 PM Date printed: 2/1/2022 1:32:39 PM Page 1 of 1


Production Worksheet
 Wilcom TrueSizer
 Yyb
 Design: Yyb
 Title:

Stitches: 5,412
 Height: 48.4 mm
 Width: 48.8 mm
 Colors: 3
 Colorway: Colorway 1
 Zoom: 3.10

Machine format: Janome
 Color changes: 2
 Stops: 3
 Trims: 2
 Auto fabric: Fabric Name
 Required stabilizer: Stabilizer
 Appliqués: 0
 Total thread: 31.53m
 Total bobbin: 12.09m

Stop Sequence:
 # # Color St. Code Name
 1. 16 4,683 273 Honey Dew
 2. 17 361 001 White
 3. 18 365 002 Black

Thread usage: 31.23m
 # Color Name Length
 16. 15 Honey Dew 27.31m
 17. 16 White 1.94m
 18. 17 Black 1.97m



Authors: Design last saved : 1/31/2022 4:05:50 PM Date printed: 2/1/2022 1:32:56 PM Page 1 of 1

Production Worksheet
 Wilcom TrueSizer
 YyC
 Design: Yyc
 Title:

Stitches: 7,918
 Height: 90.8 mm
 Width: 90.8 mm
 Colors: 3
 Colorway: Colorway 1
 Zoom: 1.75

Machine format: Janome
 Color changes: 2
 Stops: 3
 Trims: 28
 Auto fabric: Fabric Name
 Required stabilizer: Stabilizer
 Appliqués: 0
 Total thread: 48.92m
 Total bobbin: 19.43m

Stop Sequence:
 # # Color St. Code Name
 1. 16 1,090 001 White
 2. 17 2,872 213 Beige
 3. 18 3,953 002 Black

Thread usage: 48.61m
 # Color Name Length
 16. 15 White 6.49m
 17. 16 Beige 18.06m
 18. 17 Black 24.06m



Authors: Design last saved : 1/31/2022 4:05:50 PM Date printed: 2/1/2022 1:33:02 PM Page 1 of 1


Production Worksheet
 Wilcom TrueSizer
 YyD
 Design: Yyd
 Title:

Stitches: 1,891
 Height: 38.2 mm
 Width: 38.5 mm
 Colors: 2
 Colorway: Colorway 1
 Zoom: 4.15

Machine format: Janome
 Color changes: 1
 Stops: 2
 Trims: 4
 Auto fabric: Fabric Name
 Required stabilizer: Stabilizer
 Appliqués: 0
 Total thread: 10.06m
 Total bobbin: 3.60m

Stop Sequence:
 # # Color St. Code Name
 1. 16 1,778 001 White
 2. 17 110 002 Black

Thread usage: 9.85m
 # Color Name Length
 16. 15 White 9.15m
 17. 16 Black 0.70m



Authors: Design last saved : 1/31/2022 4:05:50 PM Date printed: 2/1/2022 1:33:09 PM Page 1 of 1

Production Worksheet
 Wilcom TrueSizer
 YE
 Design: Yye
 Title:

Stitches: 2,790
 Height: 51.1 mm
 Width: 58.0 mm
 Colors: 2
 Colorway: Colorway 1
 Zoom: 2.75

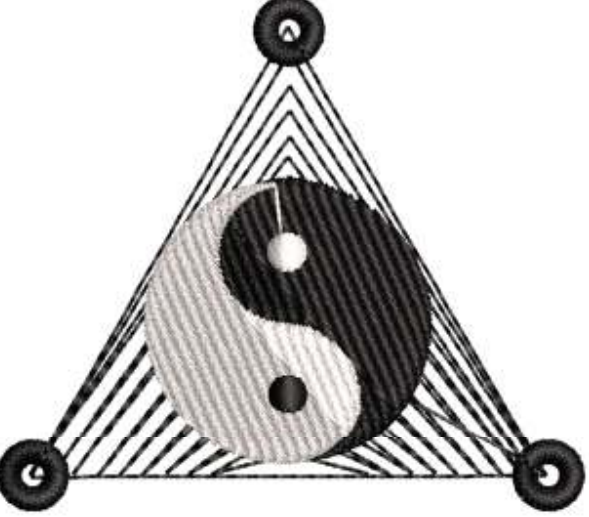
Machine format: Janome
 Color changes: 2
 Stops: 3
 Trims: 19
 Auto fabric: Fabric Name
 Required stabilizer: Stabilizer
 Appliqués: 0
 Total thread: 14.88m
 Total bobbin: 5.33m

Stop Sequence:

#	#	Color	St.	Code	Name
1.	16	■	1,935	002	Black
2.	17	□	815	001	White
3.	16	■	37	002	Black

Thread usage: 14.58m

#	Color	Name	Length
16.	16	Black	9.89m
17.	16	White	4.68m



Authors: Design last saved : 1/31/2022 4:05:50 PM Date printed: 2/1/2022 1:33:15 PM Page 1 of 1

Production Worksheet
 Wilcom TrueSizer
 YF
 Design: Yyf
 Title:

Stitches: 8,249
 Height: 81.0 mm
 Width: 81.9 mm
 Colors: 3
 Colorway: Colorway 1
 Zoom: 1.85

Machine format: Janome
 Color changes: 4
 Stops: 5
 Trims: 15
 Auto fabric: Fabric Name
 Required stabilizer: Stabilizer
 Appliqués: 0
 Total thread: 42.52m
 Total bobbin: 15.12m

Stop Sequence:

#	#	Color	St.	Code	Name
1.	16	■	5,146	273	Honey Dew
2.	17	□	838	001	White
3.	18	■	1,071	002	Black
4.	16	■	908	273	Honey Dew
5.	17	□	283	001	White

Thread usage: 42.01m

#	Color	Name	Length
16.	16	Black	9.89m
17.	16	White	6.41m
18.	17	Black	6.15m



Authors: Design last saved : 1/31/2022 4:05:49 PM Date printed: 2/1/2022 1:33:22 PM Page 1 of 1

Production Worksheet
 Wilcom TrueSizer
 YG
 Design: Yyg
 Title:

Stitches: 4,946
 Height: 50.8 mm
 Width: 51.2 mm
 Colors: 3
 Colorway: Colorway 1
 Zoom: 3.11


Machine format: Janome
 Color changes: 3
 Stops: 4
 Trims: 11
 Auto fabric: Fabric Name
 Required stabilizer: Stabilizer
 Appliqués: 0
 Total thread: 28.28m
 Total bobbin: 10.66m

Stop Sequence:

#	#	Color	St.	Code	Name
1.	16	□	1,126	001	White
2.	17	■	1,309	002	Black
3.	18	■	1,445	221	Gray
4.	16	□	1,063	001	White

Thread usage: 27.87m

#	Color	Name	Length
16.	15	White	12.24m
17.	16	Black	7.20m
18.	17	Gray	8.44m



Authors: Design last saved : 1/31/2022 4:05:49 PM Date printed: 2/1/2022 1:33:29 PM Page 1 of 1

Production Worksheet
 Wilcom TrueSizer
 YF
 Design: Yyh
 Title:

Stitches: 3,994
 Height: 50.7 mm
 Width: 49.9 mm
 Colors: 3
 Colorway: Colorway 1
 Zoom: 3.04


Machine format: Janome
 Color changes: 2
 Stops: 3
 Trims: 5
 Auto fabric: Fabric Name
 Required stabilizer: Stabilizer
 Appliqués: 0
 Total thread: 22.27m
 Total bobbin: 8.29m

Stop Sequence:

#	#	Color	St.	Code	Name
1.	16	□	1,281	001	White
2.	17	■	1,401	002	Black
3.	18	■	1,309	273	Honey Dew

Thread usage: 21.96m

#	Color	Name	Length
16.	15	White	8.16m
17.	16	Black	8.79m
18.	17	Honey Dew	5.02m



Authors: Design last saved : 1/31/2022 4:05:48 PM Date printed: 2/1/2022 1:33:35 PM Page 1 of 1



Machine format: Janome
 Color changes: 1
 Stops: 2
 Trims: 5
 Auto fabric: Fabric Name
 Required stabilizer: Stabilizer
 Appliqués: 0
 Total thread: 11.37m
 Total bobbin: 3.79m

Stop Sequence:

#	Color	St.	Code	Name
1	16	1	812	001 White
2	17	1	575	002 Black

Thread usage: 11.17m

#	Color	Name	Length
16	15	White	9.22m
17	16	Black	1.95m



Machine format: Janome
 Color changes: 1
 Stops: 2
 Trims: 1
 Auto fabric: Fabric Name
 Required stabilizer: Stabilizer
 Appliqués: 0
 Total thread: 9.51m
 Total bobbin: 3.58m

Stop Sequence:

#	Color	St.	Code	Name
1	16	1	817	001 White
2	17	1	811	002 Black

Thread usage: 9.31m

#	Color	Name	Length
16	15	White	4.67m
17	16	Black	4.64m